

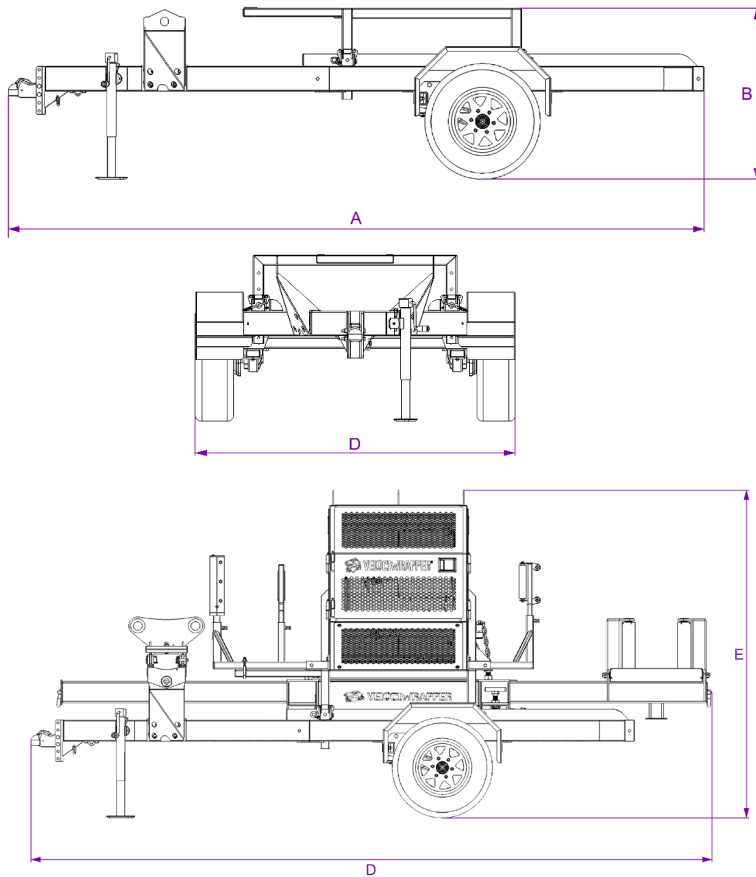


Trailer

General Specifications:

Weight Empty:	1,200 lbs (544 kgs)
Weight Loaded:	3,200 lbs (1,451 kgs)
Weight Rating:	3,500 lbs (1,588 kgs)
Wheel Lugs:	6
Color:	Graphite/Yellow

Physical Dimensions:



(A) - Length Empty:	14'-0"
(B) - Height Empty:	2'-9" to 4'-1"
(C) - Width:	6'-2"
(D) - Length with Fairlead:	15'-10"
(E) - Transportation Height:	7'-7"

Configurations:

VelociWrapper® and Fairlead shown for reference and are purchased separately.

Empty



Operation



Transportation



Trailer Features:

- Small, rugged design
- 3,500 lb heavy duty axle-less suspension system
- Large, wide tires for better flotation when operating on soft ground
- Adjustable reinforced VelociWrapper® mount frame to match reel trailer height
- Adjustable channel hitch to accommodate either ball or pintle style hitches
- Designed to transport the VelociWrapper® cable wrapper and Fairlead in a complete package, perfect for rental companies
- Dedicated Fairlead tie-downs for transportation
- Heavy grating deck floor